



OVERVIEW

The Bluetooth mesh dimmer provides automatic lighting control for a variety of indoor applications. It can replace any standard single-pole wall switch, has on/off function and dimming control, and the configuration of the buttons can be configured in the field. Typical applications include public restrooms, private offices, classrooms, conference rooms, storage spaces, and break rooms.

FEATURES & SPECIFICATIONS:

- Bluetooth® SIG mesh
- Manual on/off (wireless)
- Dim up/down (wireless)
- LED status indicator light
- Mounts in any standard wall box
- Color: white
- Product Type: Dimmer Wall Switch
- Input Voltage | Power Consumption: 120-277VAC , 60Hz | Max 1.0W
- Mounting: Standard wall box
- Max Bluetooth Range¹: 200'(60m)
- Operating temperature: 0° to 55°C
- Storage Temperature: -10° to 60°C
- Relative Humidity: 90-95% non-condensing at 30°C
- 5-years limited warranty

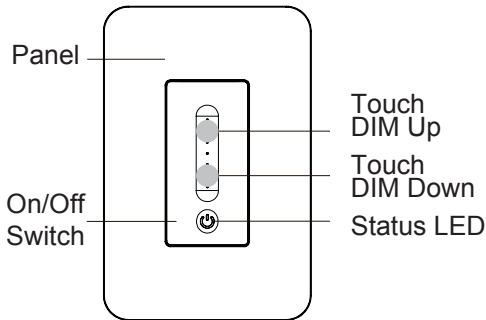
ORDERING GUIDE

Description	Part Number
120-277VAC Wireless 2-Button Dimmer Wall Switch,Bluetooth Mesh	BMWS-S-D-2BT-BLE-SR
<p>Add suffix for different color options:</p> <ul style="list-style-type: none"> -Blank - White (standard) -IV - Ivory -LA - Light Almond -GY - Gray -BK - Black -RD - Red <p>* White color is standard. Optional and Custom colors may require an additional charge.</p>	

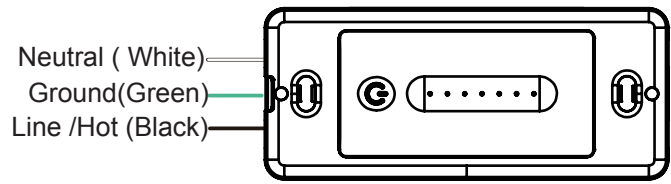
Note:

1. Bluetooth Range is highly dependent on the integration of fixtures, surrounding environment and conditions. It is recommended to conduct testing for range accuracy.

PRODUCT OUTLINE



WIRING DIAGRAM

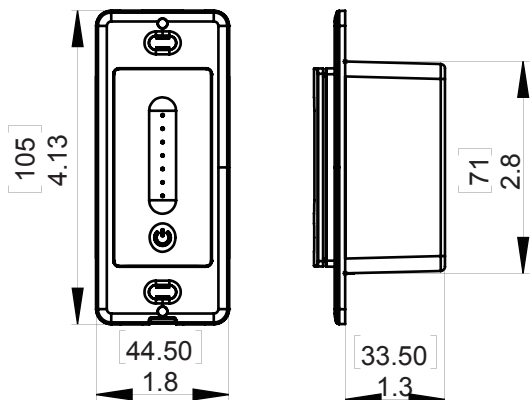


* Switched Hot to Load is not required. Switching is done at the power pack or in-fixture load controller.

Ref#: 20240627

DIMENSIONS AND APPEARANCE

Unit: [mm]
in



RESET

Press and hold Switch button and "DIM up" for 5s to reset the Dimmer and get into quick configuration mode.

